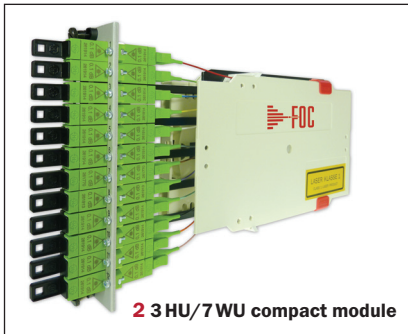


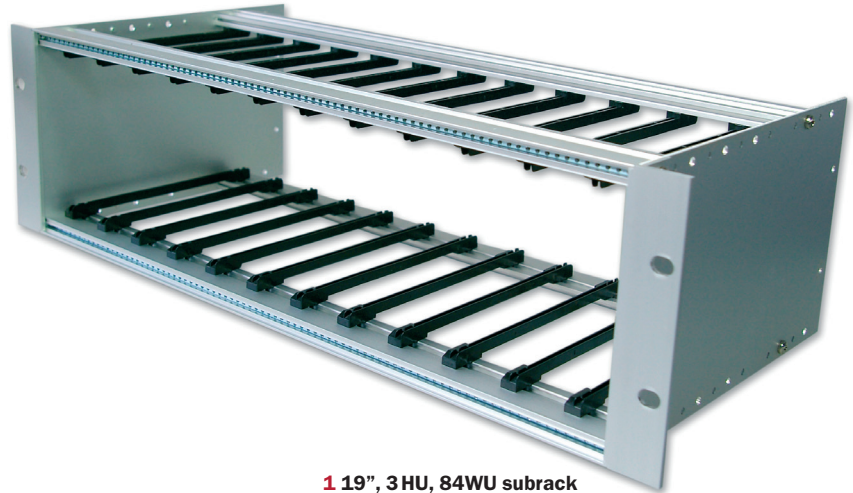


For a complete overview of Network Systems visit our website at www.foc-fo.com.

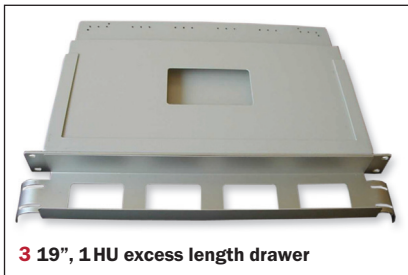
Network Systems ▶ Splice & Patch Modules ▶ **Subrack System - 3 HU/84 WU**



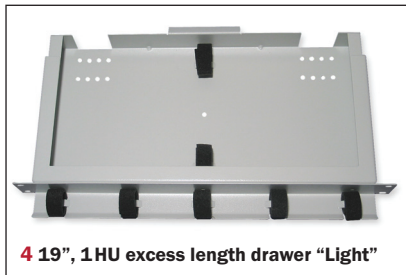
2 3 HU/7 WU compact module



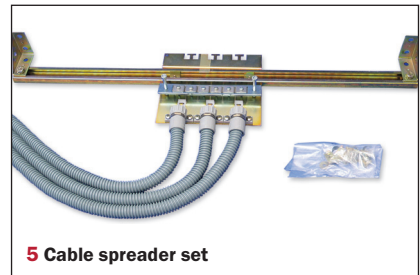
1 19", 3 HU, 84 WU subrack



3 19", 1 HU excess length drawer



4 19", 1 HU excess length drawer "Light"



5 Cable spreader set

The modular subrack system accommodates multifibre loose buffer cables containing up to 144 fibres. Using the modular components it is possible to tailor the distribution system to suit the requirements of the cabling plant and of the system manager. The individual components ensure an easy installation as well the service-friendly operation of the cabling plant observing the fibre-optical parameters.

Components of the subrack system

- 1 Subrack** – 19" 3 HU/84 WU for the accommodation of up to 144 fibres in 12 compact modules, incl. 24 module guide rails, anodized enclosure
- 2 Compact module** – 3 HU with 7 WU/10.5 WU for accommodating and splicing of up to 12 fibres
- 3 Excess length drawer** – 19", 1 HU, for accommodating fibre-optic cables, storing of excess fibre lengths as well as the secure routing of the loose buffers to the compact modules using drag chains, incl. 12 pcs. of drag chains, length: 0.5m
- 4 Excess length drawer "Light"** – 19", 1 HU, for accommodating fibre-optic cables, the storing of excess fibre lengths as well as the systematic routing of the loose buffers to the compact modules; available with splice cassettes (option)

- 5 Cable spreader set** – for separating the multifibre loose buffer cables to the excess length drawers, incl. 6m of loose buffer protection hose, 6 pcs. of cable glands

The **compact modules** have been designed for accommodating 12x LSH (Class A)/SC. Each compact module contains an excess length cassette for storing fibre excess lengths, and a splice cassette for accommodating up to 12 splice connections. Fibres can be routed to the compact module via multifibre loose buffers or hoses which are securely fixed to the module using cable clamps. In the rear area a special fibre management system prevents the fibres from being kinked and ensures that the modules can be pulled out to the front. In addition, the modules are suited for accommodating optical couplers and wavelength multiplexers.

Options

Depending on the demands put on the cable plant appropriate multifibre loose buffer separations as well as patch cord guides are available.
Delivery with other connector standards on request.

Accessories

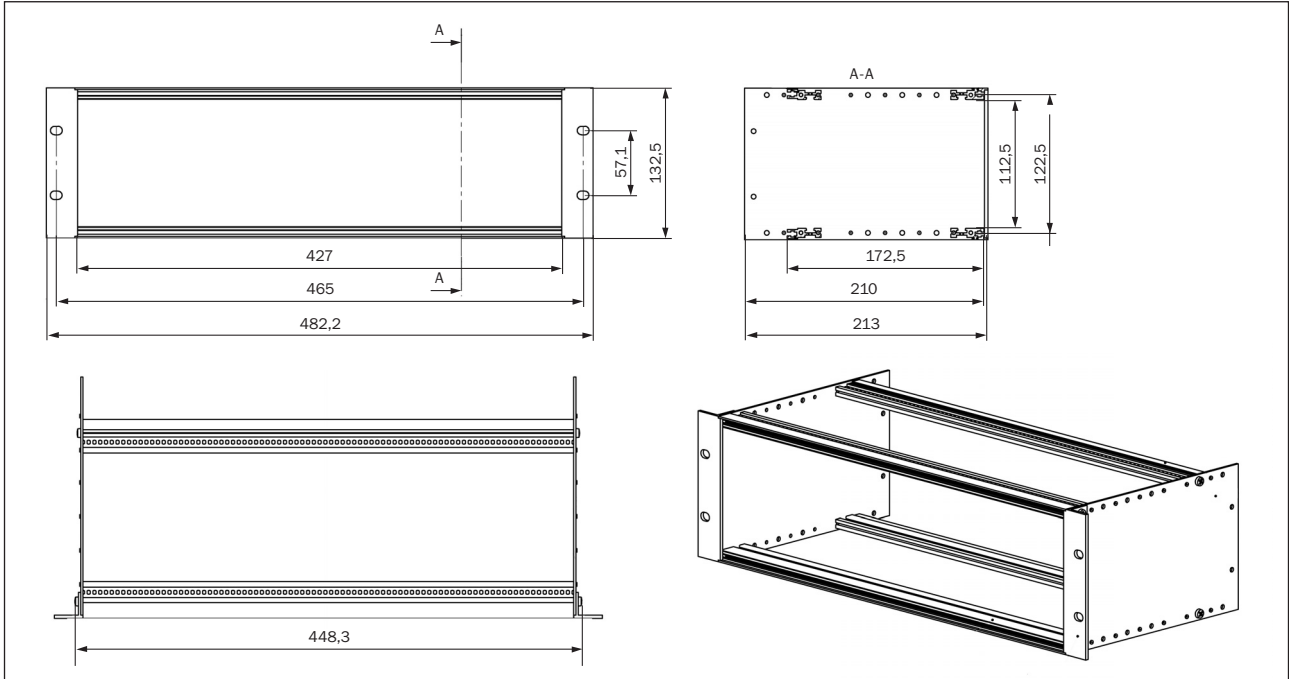
- Subrack cover panels
- Subrack blind front panels



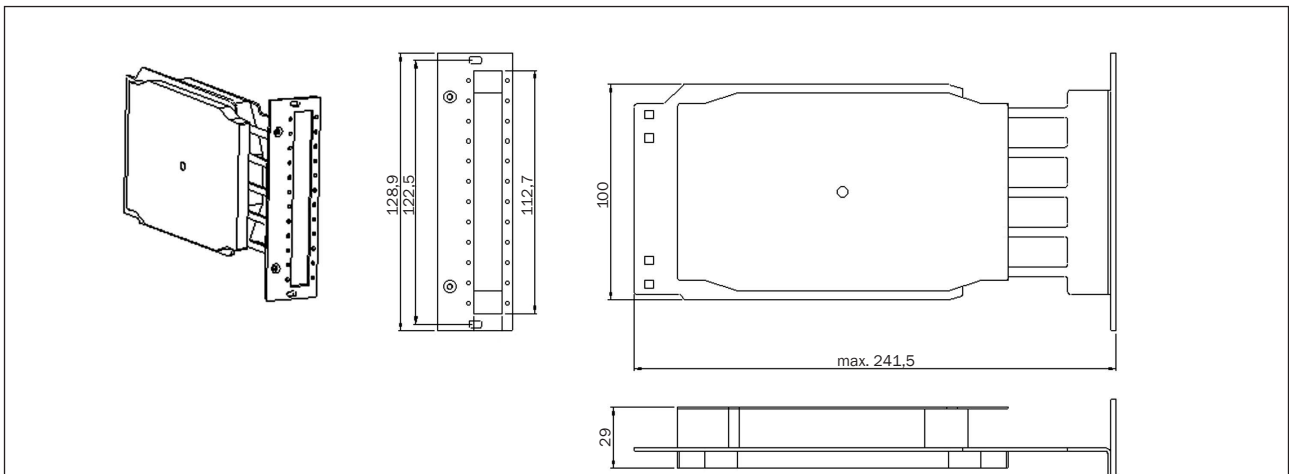
FOC – fibre optical components GmbH
Barbara-McClintock-Str. 5 | 12489 Berlin, Germany
p +49 30 565507-0 | f +49 30 565507-19
w www.foc-fo.com | e info@foc-fo.de

Release 22.04.2020
Subject to modifications
DBE-NWS-0222V006

Subrack dimensions



3 HU/7WU compact module dimensions



Front panel designs

